

Manual Air Valves



Contents

Manual Air Valve Numbering System.....	G2
Manual Valves Specifications.....	G2
Manual Air Valves List Price.....	G3
Push Buttons Dimensions.....	G4
Hand Lever Dimensions.....	G5 - G6
Foot Pedal Dimensions.....	G7
Quick Exhaust & Control Valve Dimensions.....	G8

Manual Air Valve Numbering System

Ordering Part No. =
(e.g., MOV-03PB)



Model		# Way & # Position		Port Size (NPT)	Options
Manual Air Valves	MOV	3 Way 2 Position		1/8	(leave blank) 01 = Turn Select, 02 = Roller, 03 = Button (Momentary) Leave Blank = Plunger (Non-Detented), E = Palm Button (Detented), PB = Palm Push Button (Non-Detented), PPL = Push Button (Non-Detented), PP = Flush Push Button Color Options: G = Green, R = Red
Manual Air Valves	MPV	4 Way 2 Position Toggle	522	1/4	(leave blank)
Manual Air Valves	MSV	3 Way 2 Position	96322	1/4	(leave blank)
		4 Way 2 Position	86522		
Hand Lever Valves	TSV	3 Way 2 Position	96322	1/4	(leave blank)
		4 Way 2 Position	86522		
Hand Lever Valves	4H	4 Way 3 Position (Closed Center)	230C	1/4	(leave blank)
		4 Way 3 Position (Exhaust Center)	230E		
		4 Way 3 Position (Pressure Center)	230P		
Pull/Push Valves	3R	3 Way 2 Position	210	1/4	(leave blank)
	4R	4 Way 2 Position	210		
Hand Valve	HV	4 Way 3 Position	400	1/4	(leave blank)
		4 Way 2 Position	410		
Foot Operated Valve	FV	2 Way 2 Position	220	1/4	(leave blank)
		3 Way 2 Position	320		
		4 Way 2 Position	420		
	4F	4 Way 2 Position	210	1/4	(leave blank)

Specifications								
Model No.	MSV Series	MOV Series	TSV Series	4H Series	3-4R Series	HV Series	4F Series	FV Series
Description	Hand Valves	Hand Valves	Lever Valves	Lever Valves	Pull/Push Valves	Hand Valves	Foot Valves	Foot Valves
Cv	0.89	0.67	1.0	0.89	0.89	1.68	0.89	0.89
Operating Pressure	0 to 150 PSI							
Operating Temperature	23 to 140°F (-5 to 60°C)							
Action	Direct Acting							
Working Medium	40 micron filtered air or inert gas							
Body Material	Aluminum (Anodized)							
Seal Material	NBR							
Lubrication	Not Required							

Specifications				
Model No.	ASC Series	AS Series	QE Series	ST Series
Description	Flow Control Valves	Flow Control Valves	Quick Exhaust Valves	Shuttle Valves
Orifice (mm)	1/8" = 4.6; 1/4" = 6.0; 3/8" = 6.2; 1/2" = 9.6; 3/4" = 9.8			
Operating Pressure	0 to 150 PSI			
Operating Temperature	32 to 140°F (0 to 60°C)			
Working Medium	40 micron filtered air or inert gas			
Body Material	Aluminum (Anodized)			
Seal Material	NBR			
Lubrication	Not Required			

Manual Air Valves List Price

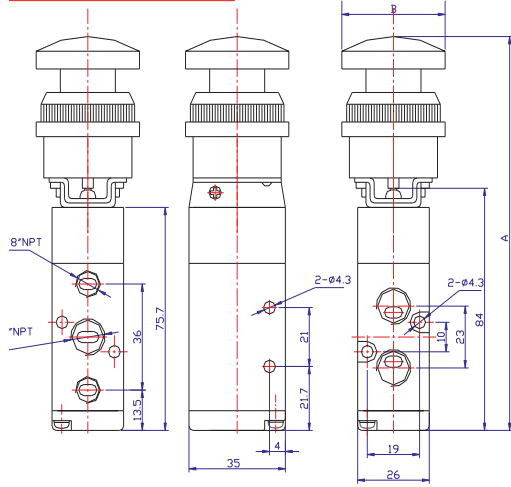


1/4" NPT 4 Way 5 Port 2 Position Air Valves											
Model No.	MSV-86522TB	MSV-86522EB	MSV-86522PB	MSV-86522PP	MSV-86522PPL	MSV-86522R	TSV86522M	TSV86522S	4R210-1/4M	4R210-1/4S	
Price	\$33.08	\$33.08	\$33.08	\$33.08	\$33.08	\$33.08	\$34.85	\$23.40			
Description	Two Position Detented Switch Cv 0.89	Emergency Stop Detented Cv 0.89	Palm Button Momentary Cv 0.89	Push Button Momentary Cv 0.89	High Push Button Momentary Cv 0.89	Roller Lever Cv 0.89	Lever M = Detented S = Non-detented		Pull/Push M = Detented S = Non-detented		
1/4" NPT 4 Way 5 Port 2 Position Air Valves		1/4" NPT 4 Way 5 Port 3 Position Air Valves					1/4" NPT 3 Way 3 Port 2 Position Air Valves				
Model No.	MPV522	Model No.	4H230C-M 4H230C-S	4H230E-M 4H230E-S	4H230P-M 4H230P-S	Model No.	TSV98322M	TSV98322S	3R210-1/4M	3R210-1/4S	
Price	\$46.97	Price	\$72.18	\$72.18	\$72.18	Price	\$33.08	\$22.81			
Description	Toggle Switch Cv 0.89	Description	3 Position, 4 Way Closed Center M = Detented S = Non-detented	3 Position, 4 Way Exhaust Center M = Detented S = Non-detented	3 Position, 4 Way Pressure Center M = Detented S = Non-detented	Description	Lever M = Detented S = Non-detented		Pull/Push M = Detented S = Non-detented		
1/4" NPT 3 Way 3 Port 2 Position Air Valves						1/8" NPT 3 Way 2 Port 2 Position Air Valves					
Model No.	MSV-98322TB	MSV-98322EB	MSV-98322PB	MSV98322PP	MSV-98322R	Model No.	MOV-01	MOV-02			
Price	\$31.37	\$31.37	\$32.45	\$31.37	\$31.37	Price	\$19.97	\$19.97			
Description	Two Position Switch Cv 0.89	Emergency Stop Detented Cv 0.89	Palm Button Momentary Cv 0.89	Push Button Momentary Cv 0.89	Roller Lever Momentary Cv 0.89	Description	Two Position Switch Cv 0.67	Emergency Stop Detented Cv 0.67			
1/8" NPT 3 Way 2 Port 2 Position Air Valves						1/4" NPT Air Valves					
Model No.	MOV-03EB	MOV-03PL	MOV-03PP	MOV-03PB	Model No.	HV 410	HV 400/420				
Price	\$19.97	\$19.97	\$19.97	\$19.97	Price	\$35.94	\$35.94				
Description	Emergency Stop Momentary Cv 0.67	Push Button Momentary Cv 0.67	Flush Push Button Momentary Cv 0.67	(Green) Palm Button Momentary Cv 0.67	Description	2 Position 4 Way Valve Cv 1.68	3 Position 4 Way Valve Closed Center Cv 1.68				
1/4" NPT Air Valves											
Model No.	FV220-1/4	FV320-1/4	FV420-1/4	4F210	4F210L	4F210G	4F210GL				
Price	\$38.22	\$38.22	\$40.50	\$46.21	\$59.30	\$72.43	\$92.99				
Description	2 Way Momentary Foot Valve	3 Way Momentary Foot Valve	4 Way Momentary Foot Valve	4 Way Momentary Foot Valve	4 Way Detented Foot Valve	4 Way Shielded Momentary Foot Valve	4 Way Shielded Detented Foot Valve				

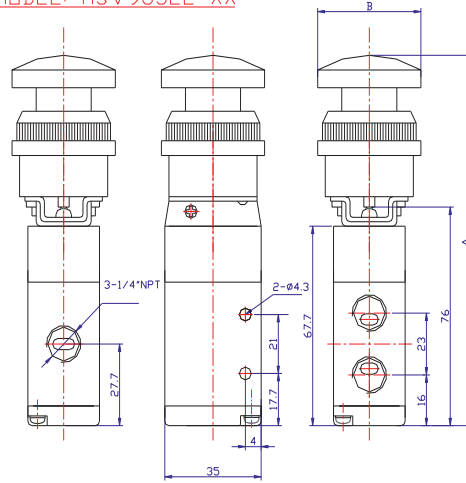
Model	Quick Exhaust		Shuttle Valve		In-line Flow Control		In-line Flow Control		Speed Control Muffler		Muffler		Union Valve	
	QE		ST		ASC		AS		BESL		BSL		UV	
Port	Part No.	Unit Price	Part No.	Unit Price	Part No.	Unit Price	Part No.	Unit Price	Part No.	Unit Price	Part No.	Unit Price	Part No.	Unit Price
10-32											BSL 10-32	\$0.74		
1/8	QE N1/8	\$15.75	ST N1/8	\$15.75	ASC N1/8	\$14.83	AS N1/8	\$9.52	BESL N1/8	\$4.03	BSL N1/8	\$1.10	UV 6-6	\$12.24
1/4	QE N1/4	\$17.80	ST N1/4	\$17.80	ASC N1/4	\$14.83	AS N1/4	\$9.52	BESL N1/4	\$5.71	BSL N1/4	\$2.13	UV 1/4-1/4	\$12.24
3/8	QE N3/8	\$17.80	ST N3/8	\$17.80	ASC N3/8	\$17.11	AS N3/8	\$11.41	BESL N3/8	\$8.76	BSL N3/8	\$3.23		
1/2	QE N1/2	\$20.27	ST N1/2	\$29.05	ASC N1/2	\$20.53	AS N1/2	\$17.86	BESL N1/2	\$12.04	BSL N1/2	\$4.96		
3/4	QE N3/4	\$72.87												

Push Button Dimensions

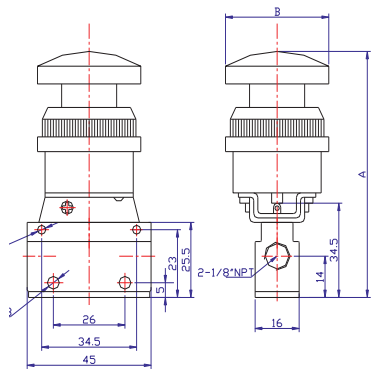
MODEL: MSV86522-XX



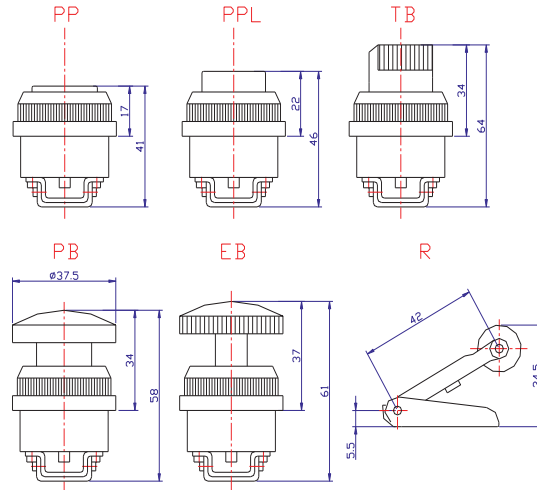
MODEL: MSV98322-XX



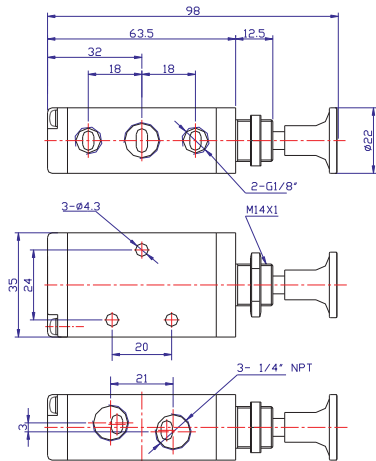
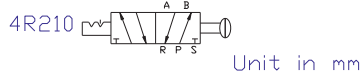
MODEL: MDV-XX



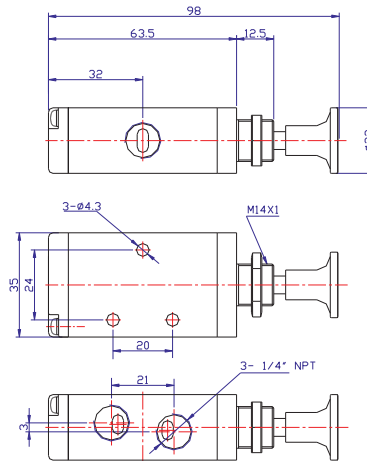
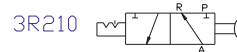
BUTTON STYLE



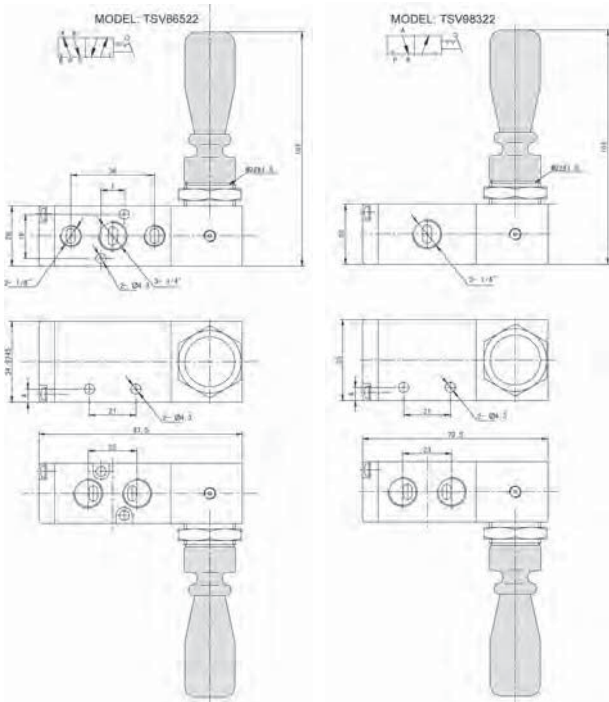
PANEL MOUNT HOLE SIZE 1 3/16" (30 MM)



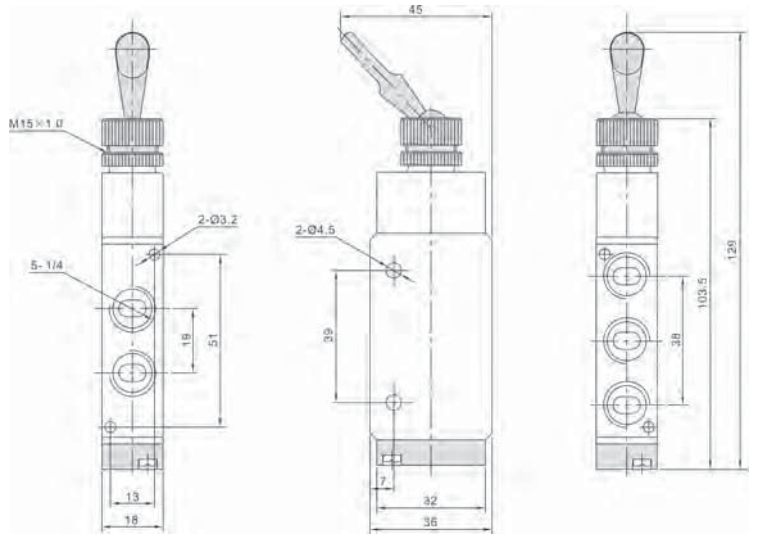
Unit in (mm)



Hand Lever Dimensions

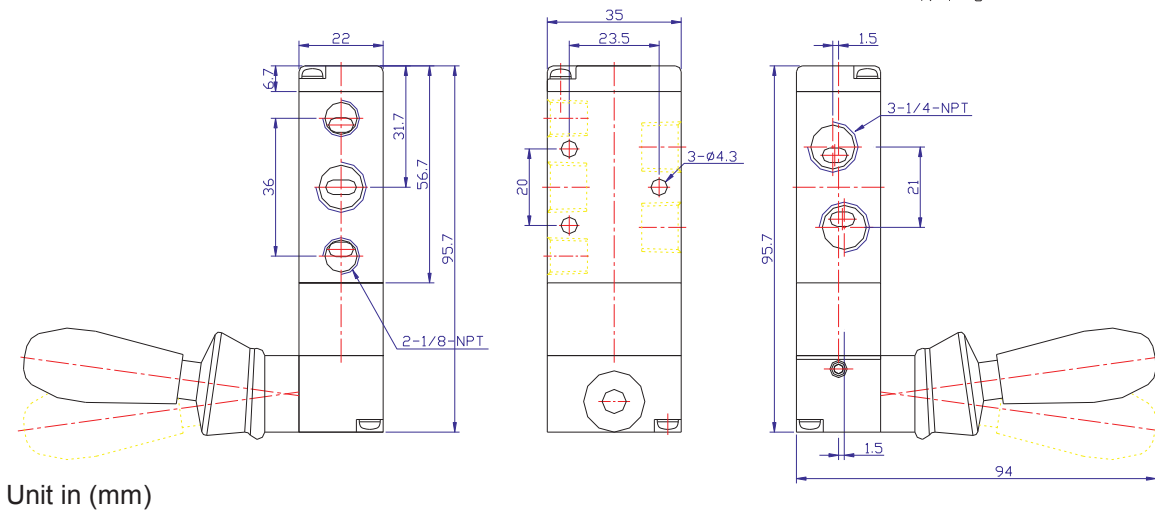
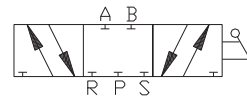


MPV



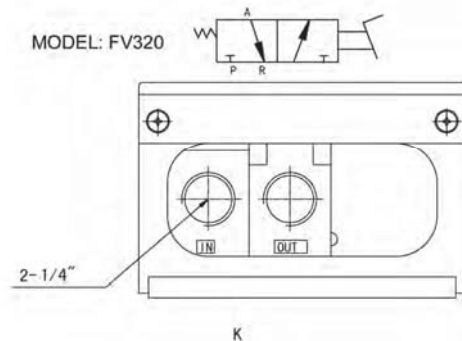
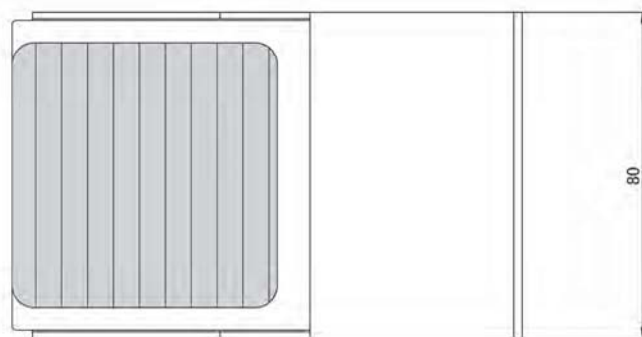
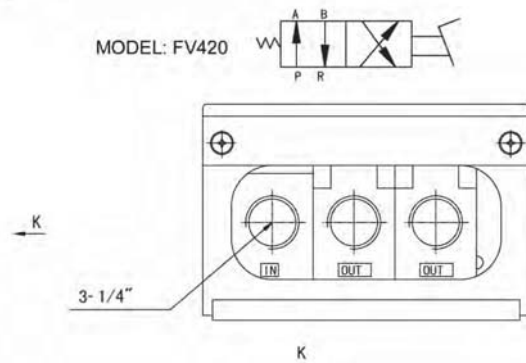
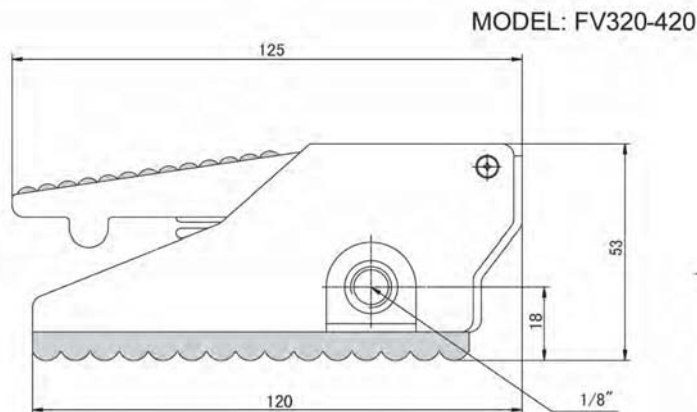
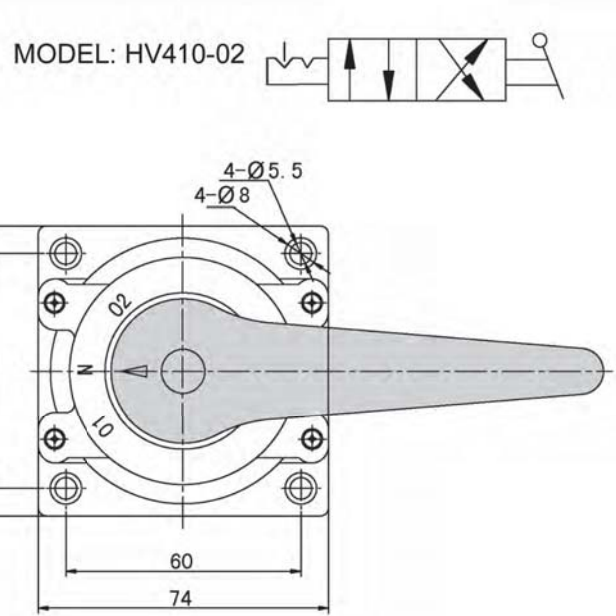
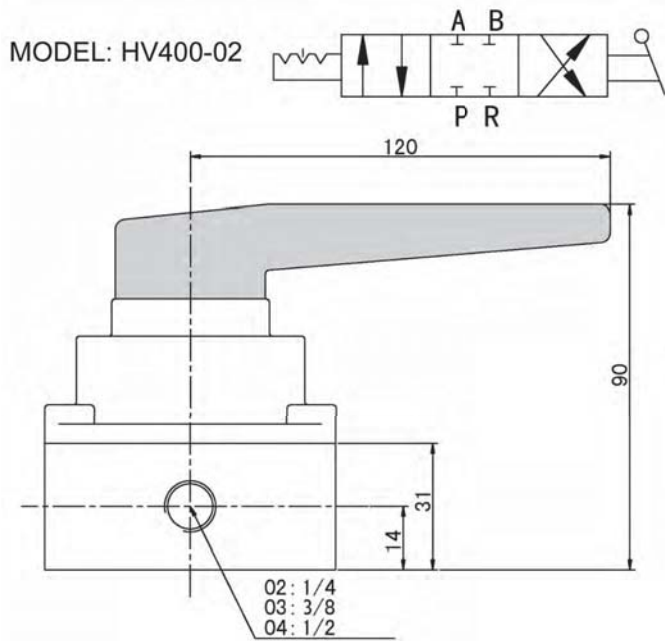
MODEL: 4H230C-1/4

5 PORT 3 POSITION MOMENTARY HAND LEVER VALVE



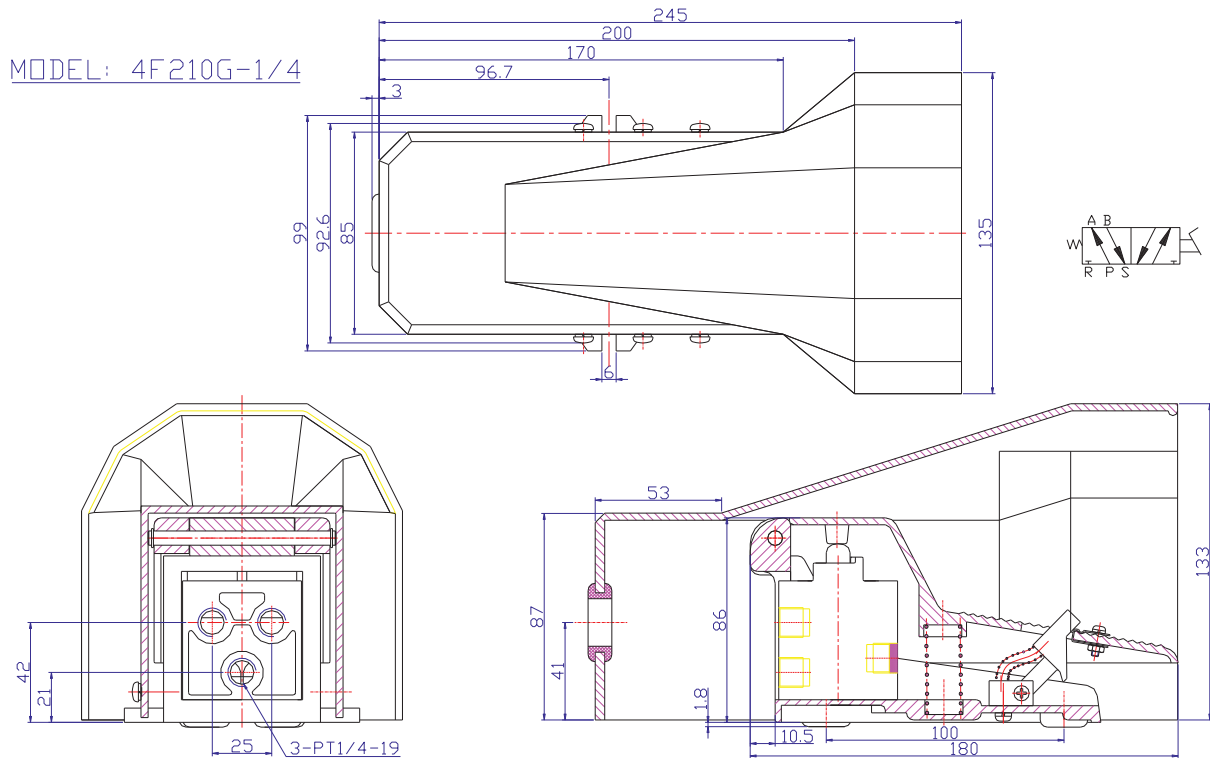
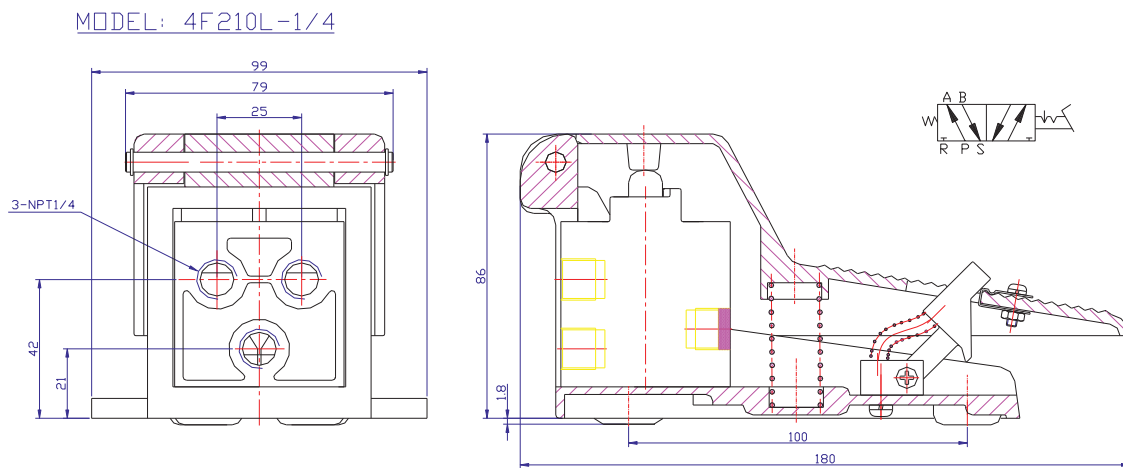
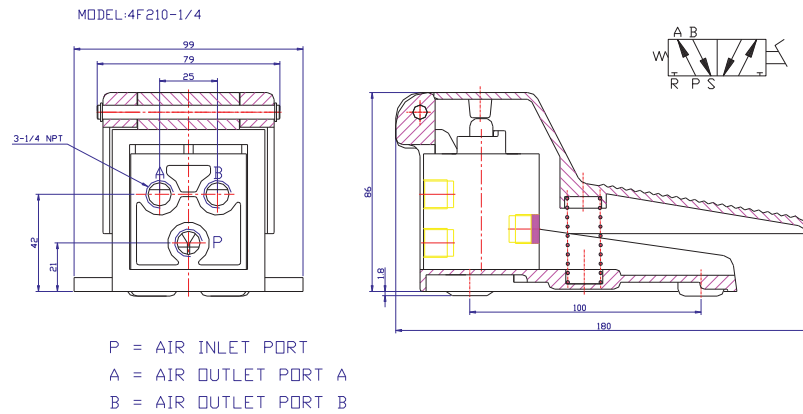
Unit in (mm)

Hand Lever Dimensions

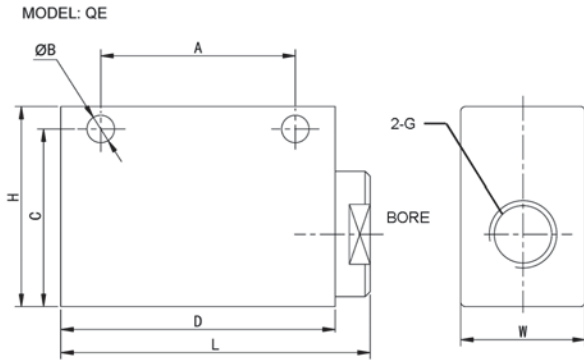
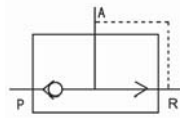


Unit in (mm)

Foot Pedal Dimensions

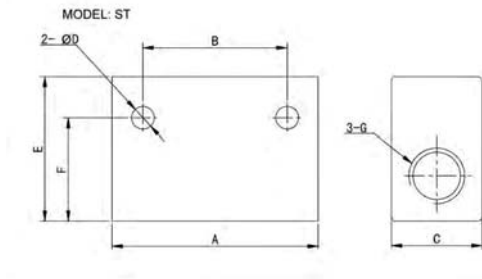
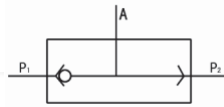


Quick Exhaust Valve

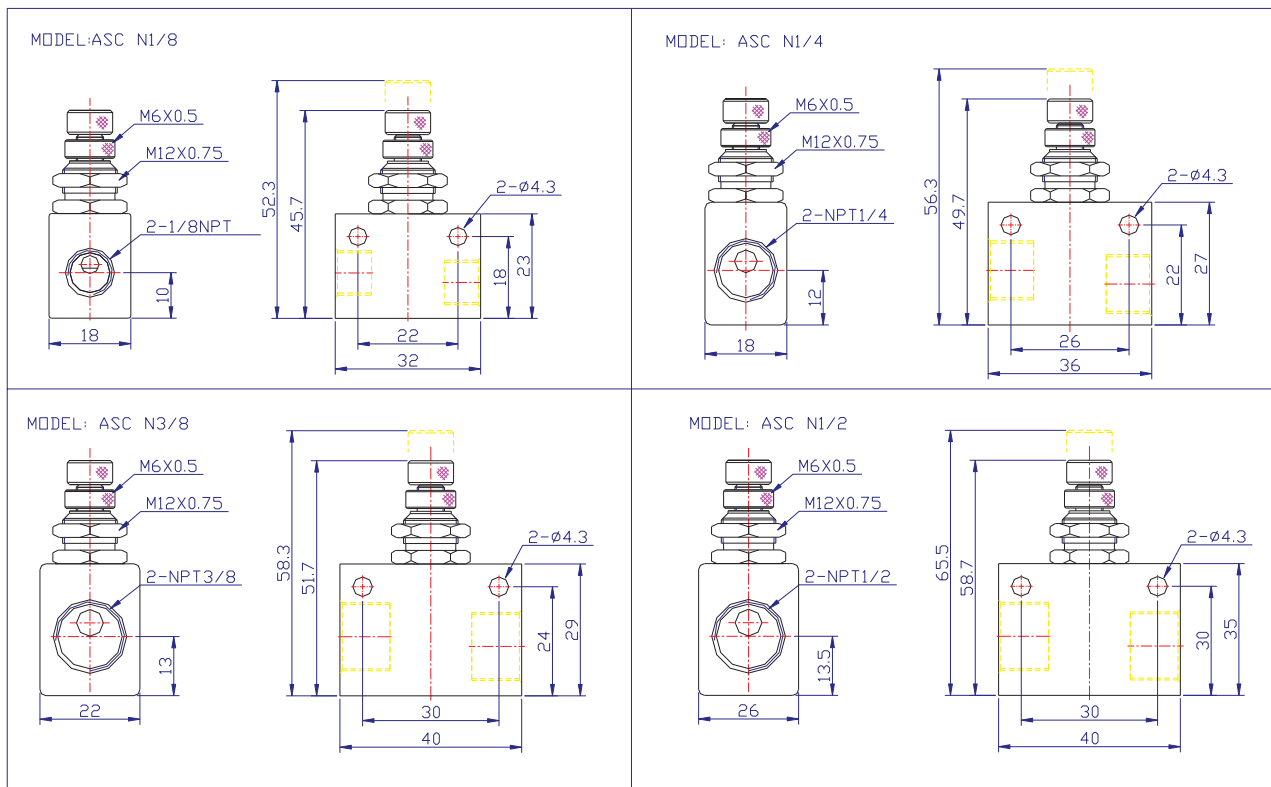


Quick Exhaust Valve (mm)										
Model No.	Bore (NPT)	G (NPT)	L	W	H	A	B	C	D	Cv
QE-01	1/4	1/8	46	20	32	30	4.3	27.0	40	1.0
QE-02	3/8	1/4	62	25	40	39	5.6	33.5	55	1.3
QE-03	1/2	3/8	62	25	40	39	5.6	33.5	55	1.4
QE-04	3/4	1/2	98	38	64	60	8.5	51.0	90	4.0
QE-06	1	3/4	98	38	64	60	8.5	51.0	90	4.1

Shuttle Valve



Shuttle Valve (mm)								
Model No.	A	B	C	D	E	F	G (NPT)	Cv
ST-01	40	24	16	4.5	25	21	1/8	0.35
ST-02	50	35	22	5.5	35	25	1/4	1.0
ST-03	75	48	30	7.0	50	42	3/8	2.0
ST-04	75	48	30	7.0	50	42	1/2	3.5
ST-06	110	72	40	7.0	70	58	3/4	6.0
ST-08	110	72	40	7.0	70	58	1	10.0



Unit in (mm)